



GOLDEN STATE

CAST STONE, LLC

PROVIDING ELEGANT HANDCRAFTED PRECAST PRODUCTS FOR YOUR SWIMMING POOL, LANDSCAPE, AND DESIGN PROJECTS.



DEVELOPED THROUGH YEARS OF DEDICATION TO THE ART OF CONCRETE MIX DESIGN.

GOLDEN STATE CAST STONE IS THE PREMIUM CHOICE FOR POOL COPING, WALL CAPS, COLUMN CAPS, AND STEP TREADS BY ADDING A COMBINATION OF HAND HONED AND ROBOTIC TECHNIQUES, IT PROVIDES A UNIQUE LOOK AND FEEL TO COMPLEMENT ANY OUTDOOR DESIGN.

ALL OF OUR PRECAST PRODUCTS ARE PROUDLY HANDMADE ON-SITE AND ARE PRODUCED WITH CAREFUL CONSIDERATION TO ENSURE QUALITY AND AESTHETICS. WE HAVE DEVELOPED A SIGNATURE LOOK AND A PREMIUM QUALITY POOL COPING THAT IS CONSISTENT IN COLOR AND FINISH.

COLORS:
 • PEWTER, DOVE GREY, ASH WHITE, PACIFIC SAND, CAPPUCCINO, 

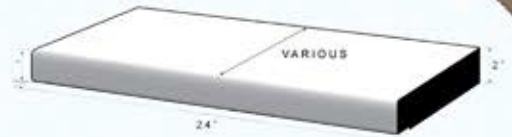
TEXTURE:
 HAND HONED SAND FINISH

LEAD TIME:
 • ALL PIECES ARE MADE TO ORDER AND TYPICAL LEAD TIME IS 4-6 WEEKS.
 • RADIUS PIECES MAY REQUIRE LONGER LEAD TIME.

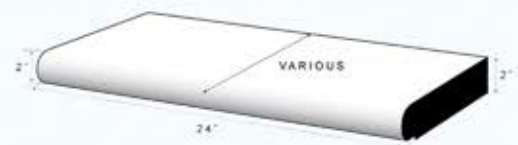
SIZES:
 • STANDARD SIZES INCLUDE: WIDTHS 12", 14", 17", 21", 24", 28", 30" / LENGTHS 24", 30"
 • CUSTOM SIZES ARE AVAILABLE FOR AN ADDITIONAL FEE AND LEAD TIME.

STYLES:
 • SQUARE EASED EDGE, BULLNOSE, DOUBLE BULLNOSE (RADIUS OPTION ONLY AVAILABLE IN 14" SQUARE EASED EDGE).

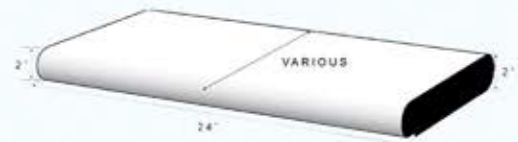
OTHER PRECAST PRODUCTS:
 • WALL CAPS, COLUMN CAPS, STEP TREADS, PAVERS.



SQUARE EASED EDGE

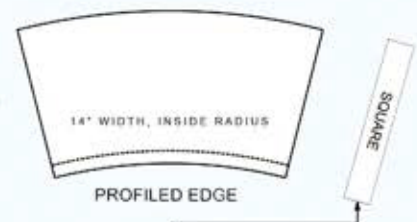


SINGLE BULLNOSE



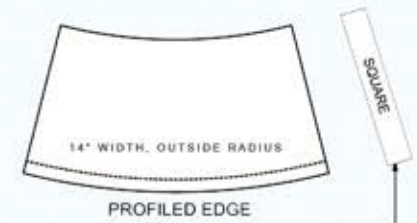
DOUBLE BULLNOSE

INSIDE RADIUS COPING



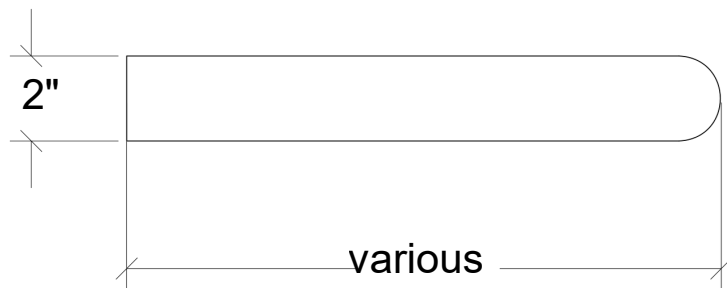
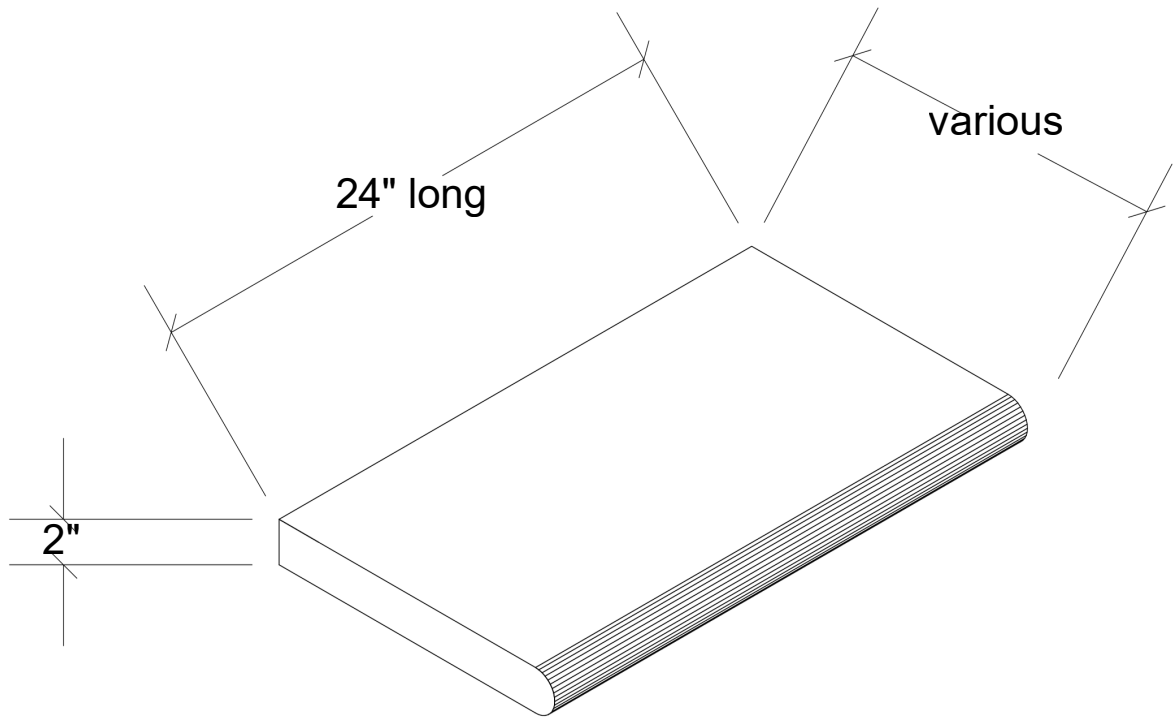
PROFILED EDGE

OUTSIDE RADIUS COPING



PROFILED EDGE

BULLNOSE COPING

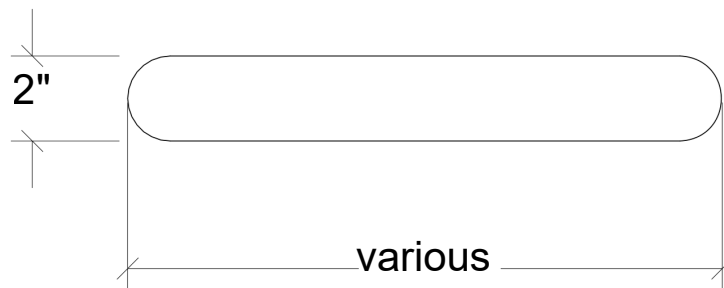
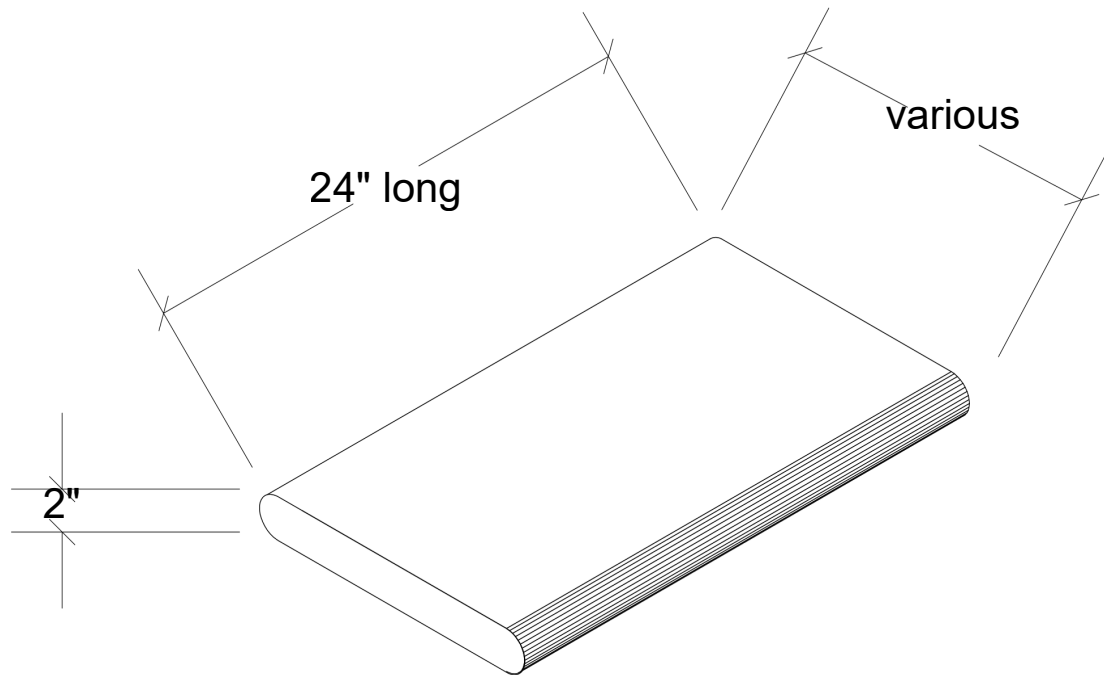


3675 Old Santa Rita Rd, Pleasanton CA 94588



GoldenStateCastStone.com

DOUBLE BULLNOSE COPING

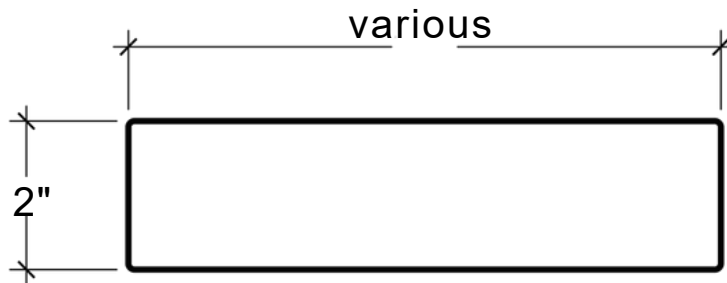
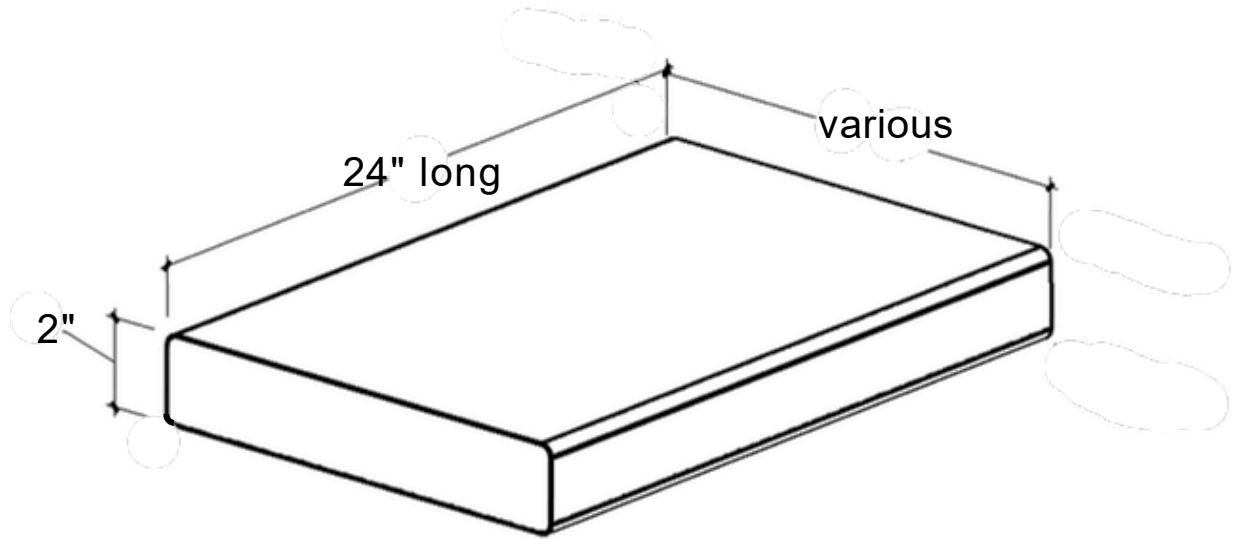


3675 Old Santa Rita Rd, Pleasanton CA 94588



GoldenStateCastStone.com

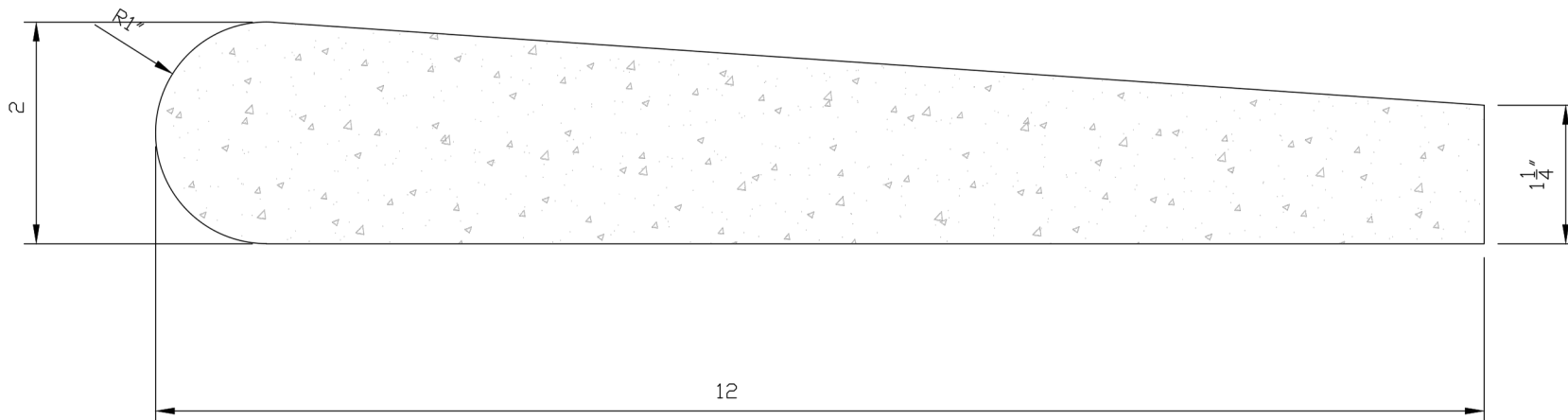
EASED EDGE COPING



3675 Old Santa Rita Rd, Pleasanton CA 94588



GoldenStateCastStone.com



COPING AVAILABLE IN
12" AND 14" WIDTHS

NOTE:

THE ABOVE COPING HAS BEEN DESIGNED IN ACCORDANCE WITH THE REQUIREMENTS OF THE STATE OF CALIFORNIA, DEPARTMENT OF HEALTH SERVICES, AND COMPLIES WITH THEIR MANUAL ENTITLED "THE DESIGN, CONSTRUCTION, OPERATION, AND MAINTAINANCE OF PUBLIC SWIMMING POOLS" DATED 1982, TITLE 24, SECTION 2-9016 (a) AND (c)

RETROFIT COPING

Scale: 12"=1'-0"

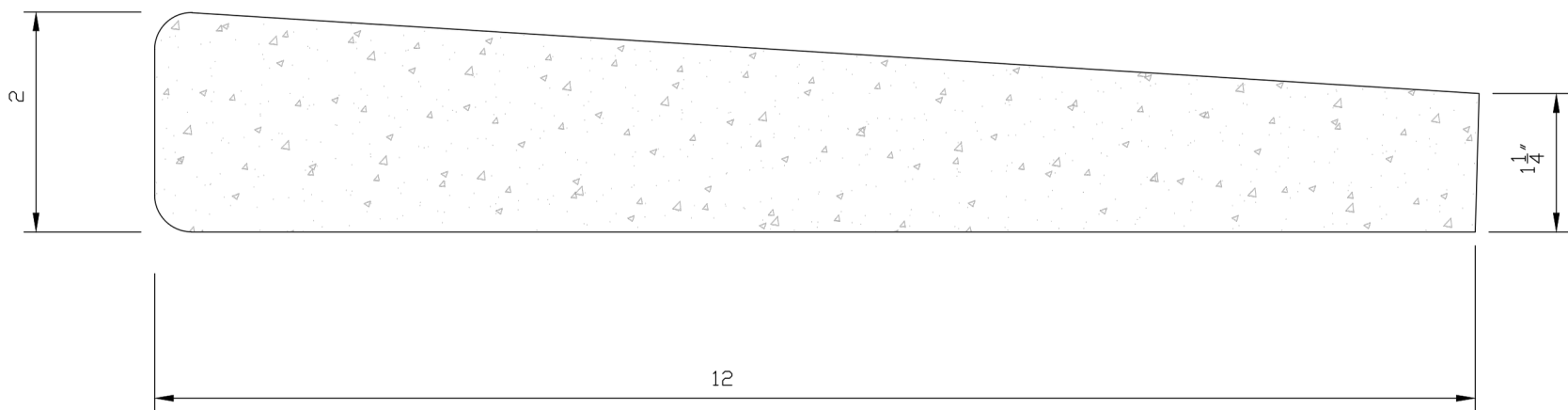


3675 OLD SANTA RITA RD.
PLEASANTON, CA 94588
Phone 925-828-3100
Ca Licence No. C53-726779

REVISIONS	

DWG BY: TIM BOLES

DATE: 2-14-25



SQUARE EASED EDGE COPING

Scale: 12"=1'-0"

COPING AVAILABLE IN
12" AND 14" WIDTHS

NOTE:
THE ABOVE COPING HAS BEEN DESIGNED IN ACCORDANCE WITH THE REQUIREMENTS OF THE STATE OF CALIFORNIA, DEPARTMENT OF HEALTH SERVICES, AND COMPLIES WITH THEIR MANUAL ENTITLED "THE DESIGN, CONSTRUCTION, OPERATION, AND MAINTAINENACE OF PUBLIC SWIMMING POOLS" DATED 1982, TITLE 24, SECTION 2-9016 (a) AND (c)



3675 OLD SANTA RITA RD.
PLEASANTON, CA 94588
Phone 925-828-3100
Ca Licence No. C53-726779

REVISIONS _____

DWG BY: TIM BOLES
DATE: 2-14-25